

PLATE 3075 DUALTAGsp

DUAL BAND UHF/HF RFID transponder

- passive RFID communication ISM UHF band + HF band (ISO15693)
- EPC Class1 Gen2 + NFC compatible
- black stainless steel plate with RFID dot
- optional: 2D laser print, graphic printing, deep laser print
- EEPROM memory
- mounting with cable ties or metal bands
- using under very harsh environmental conditions
- especially designed asset and item identification and traceability for for metal and non-metal objects



microsensys GmbH
In der Hochstedter Ecke 2
D 99098 Erfurt

TEL +49-361-59874 0
E-MAIL info@microsensys.de
FAX +49-361-59874 17
WEB www.microsensys.de

This data sheet is subject to change. Please contact microsensys for latest technical information. Picture may differ from original product.

DS-PLATE3075-DUALTAGsp 022.docx

This transponder device is an integral part of *microsensys* iID® system solutions.

Contactless interface:

UHF RFID system iID®4000, near field HF RFID system iID®3000

Chip Type / Compliance:

em | echo-V / UHF: EPC Gen2v2, ISO1800-63

HF: NFC forum type 5 compatible ISO15693/18000-3

Carrier Frequency / Communication Rate:

UHF: 860-868 MHz, 915 MHz (preferably 860-868 MHz), HF: 13.56 MHz

UHF: forward link: 40-160kBit/s, return link: 40-640kBit/s, HF: 26.4 kbps

Polarisation:

linear

Communication Distance:

UHF: 0 ... 150 cm, HF: 0 ... 3 cm

(depending on reader system and environmental conditions)

Memory parameters:

EPC/TID memory:

Up to 480-bit EPC/UII encodings, 64bit HF UID, 96bit UHF TID memory

User memory:

246Byte HF and 246Byte UHF maximum user memory

Type:

EEPROM

Endurance:

100000 cycles, data retention min. 50 years (T<55°C)

Sensor / security features:

Sensors:

-

Write protection:

lock feature

Password:

-

Authentication:

-

Originality:

dual frequency, shared memory

Environmental:

Temperature and climate resistance:

Storage temperature:

-40°C ... +125°C (up to 200°C on inquiry)

Operating temperature:

-40°C ... +85°C

Environmental test conditions:

storage in climate chamber (85%rH, 85°C) for 24 hours

IP-Protection class:

IP 68

Chemical resistance:

Immerse for 24 hours:

motor oil, Ethanol, salt mist (IEC60068-2-11)

Mechanical resistance:

Vibration:

according to IEC60068-2-6

Drop test:

according to IEC60068-2-31

Operation:

Functions:

INVENTORY, READ, WRITE, (PERMA)LOCK

Measurement:

-

Reading:

Industrial environment:

INDUSTRY 0906 UHF plus M8/M18 antenna, stationary industrial read write unit

Desktop/OEM environment:

iID® module U80

Mobile use:

iID® POCKETwork, iID® PENsolid wireless reader with Bluetooth™ interface

Software:

iID® DEMOsoft for PC x86/x64, iID® UII writer for PC x86/x64

iID® DEMOsoft for Android

Device interface:

UHF: ISO18000-63, EPC Gen2v2

HF: ISO15693/18000-3, NFC forum type 5 compatible

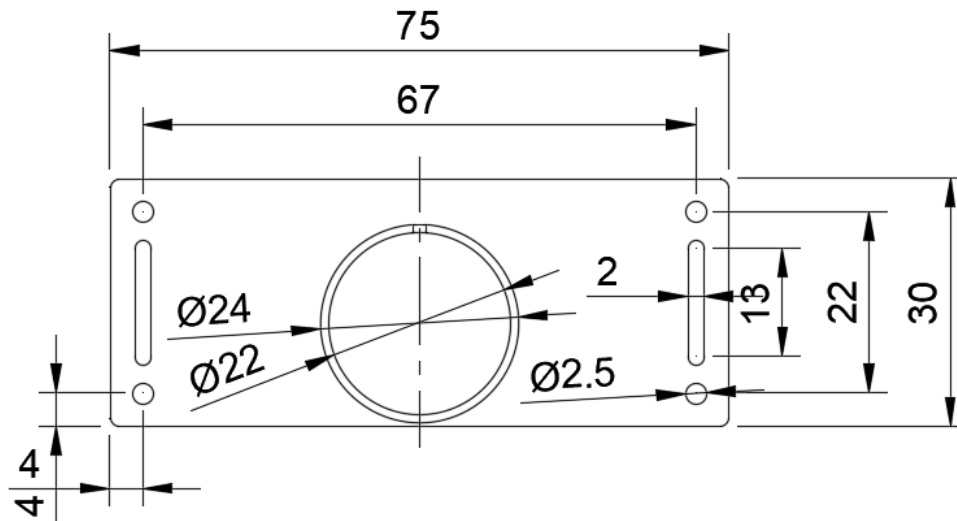
iID® driver engine Windows/Android (for iID® contactless RFID interfaces)

| Device type: | Transponder | Unit |
|----------------|--|------|
| Mounting | with cable tie or metal bands on metal or non metal objects uniform bending in the transverse direction possible, minimum R=150 mm | |
| Package | high quality stainless steel plate, RFID dot packaged PEEK / Epoxy | |
| Dimension | Approx. 30 x 75 | mm |
| Thickness | Stainless steel 0.5, RFID dot max. 4 | mm |
| Delivery form: | Individual | |
| Marking: | laser printing optional: customized graphic laser printing, bar code or 2D code laser printing, deep laser printed running number, electronic initializing | |
| Product code | 16.954.483.00 | |

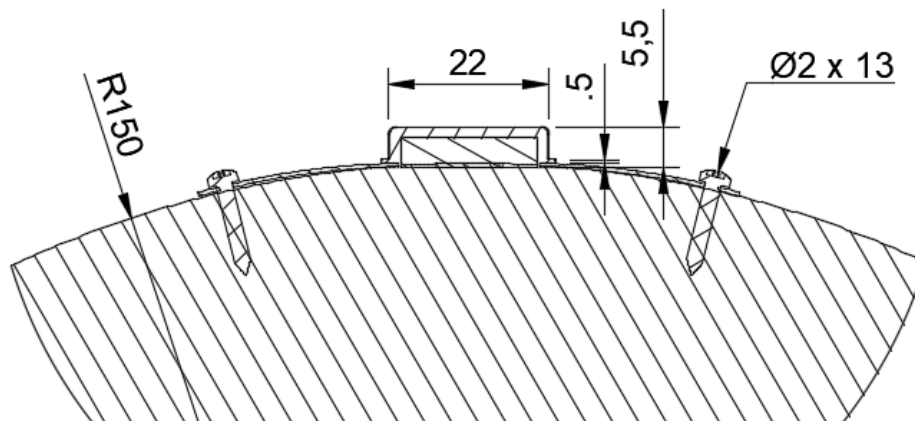
This data sheet is subject to change. Please contact microsensys for latest technical information. Picture may differ from original product.

DS-PLATE3075-DUALTAGsp 022.docx

Application & Drawing of PLATE 3075-DUALTAGspecial:



Top view, without screws



Front view, mounted on R150 mm surface with screws