

## TIE12-TAG

### HF-RFID transponder as cable tie for industrial environmental conditions

- passive RFID communication at 13.56 MHz, NFC
- cable tie module 12 x 12 mm
- EPOXY packaging with standard cable tie
- reusable mounting
- data retention 50 years
- designed for item and object tagging, especially for electronic cable and plastic or metal tubes

This transponder device is an integral part of microsensys' iID® system solutions consisting of a wide variety of transponders and smart mobile or stationary RFID reader devices.



TEL +49-361-59874 0  
E-MAIL info@microsensys.de  
WEB www.microsensys.de

This data sheet is subject to change.  
Picture may differ from original product.  
Dokument3

### Contactless Interface:

Chip Type / Compliance:  
Carrier Frequency / Communication Rate:  
Communication Distance:

HF close coupling system iID®2000/3000  
NFC forum type 5 compatible ISO15693/18000-3  
13.56 MHz / 26.4 kbps  
0 ... 15 mm, depending on reader system and environmental conditions

### Data Memory:

EPC/TID Memory:  
User Memory:  
Type:  
Endurance:

64 bit UID  
2.5 kbit  
EEPROM  
min. 10<sup>5</sup> cycles, min. 50 years (T < 55 °C)

### Security Features:

Write Protection:  
Password:  
Authentication:  
Originality:

lock feature  
32 bit  
-  
32-byte originality signature

### Mechanical / Environmental:

Dimensions:  
Packaging Material:  
Mounting Instructions:  
Marking:

12 mm x 12 mm x 5 mm  
Epoxy black, other colours upon request  
tie to electronic cable, plastic or metal tube  
laser printing possible

### Temperature and climate resistance:

Storage Temperature:  
Operating Temperature:  
Environmental Test Conditions:  
IP-Protection Class:

-45 °C ... +85 °C  
-25 °C ... +65 °C  
storage in climate chamber (85%rH, 85°C) for 24 hours  
IP 67

### Chemical resistance:

Immerse for 24 Hours:

-

### Mechanical resistance:

Vibration:  
Drop Test:

-  
according to IEC60068-2-31

### Operation:

Functions:  
Industrial Reading Devices:  
Mobile Use:  
Operating Software:

INVENTORY, READ, WRITE, (PERMA)LOCK  
iID® M30 Head, stationary industrial read write unit  
iID® POCKETwork, iID® PENSolid wireless reader with Bluetooth™ interface  
iID® DEMOsoft for PC x86/x64, iID® UII writer for PC x86/x64  
iID® DEMOsoft for Android  
ISO15693/, NFC forum type 5 compatible  
iID® driver engine Windows/Android (for iID® contactless RFID interfaces)

Device interface:

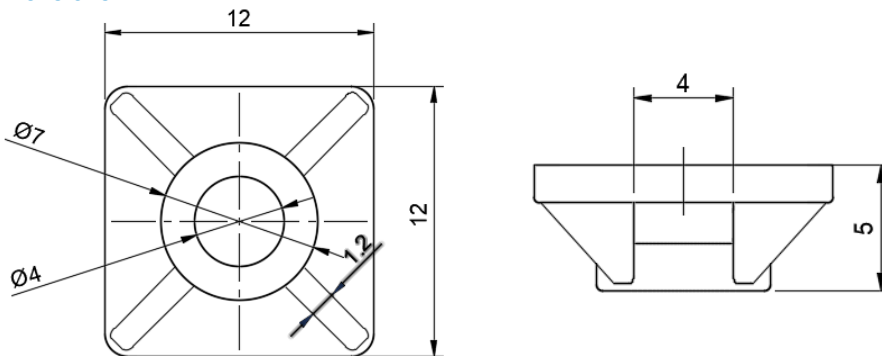
### TIE12-TAG

TIE12-TAG is an HF transponder that can be used in combination with a cable tie and is suitable for industrial environments.



Device type	Transponder
Chip Type	SLIX2
RF Standard	ISO 15693
User Memory	2.5 kbit EEPROM
Data Retention	> 50 years
Communication Rate	26.4 kbps
Write Time	5 ms
Special features	Extreme Long Life
Product Code	<b>15.451.700.00</b>

#### Dimensions:



all dimensions in mm