

TELID® 710.honeycomb

BLE Temperature Sensor and Identification Beacon

- unique identification number
- tiny external sensor particularly suitable for temperature measurement of brood nests, cable length 30 cm
- Bluetooth Low Energy data communication
- lifetime up to two seasons with replaceable CR2032 Li battery

TELID®7 enhances the proven range of microsensys' TELID® family of smart wireless sensors and data loggers with a Bluetooth Low Energy communication interface. TELID®7 devices are useful for long range identification or sensing demands. The tiny external temperature sensor can be placed at any location, especially on honeycombs. It is well suited for measuring the temperature of brood nests. Simple battery replacement enables a long period of usage.



TEL +49-361-59874 0
E-MAIL info@microsensys.de
WEB www.microsensys.de

This data sheet is subject to change.
Picture may differ from original product.
DS-TELID710.honeycomb-001.docx

Contactless Interface:

RF Communication:
Carrier Frequency:
Communication Distance:

BLE TELID®7 long range identification and sensor system
Bluetooth Low Energy 5.2
2.4GHz ISM band (2.402 – 2.480 GHz)
0 ... 10 m, depending on gateway and environmental conditions

Environmental Conditions:

Working Temperature:

-25 °C ... +60 °C

Sensors:

Accuracy:
Resolution:

high-accuracy digital temperature sensor
typ. ±0.1 °C
0.008 °C

Data Memory:

Standard Content:
Remarks:
Security Features¹:

non-volatile memory, write endurance >10⁵ cycles
unique TELID identification number, parameter and calibration data
programmable by TELID®7 configuration tool
AES-128 encryption

Operation Modes:

Basic functions:
Broadcast interval:
Broadcast duration:

TELID®7 beacon protocol
MEASURE, BROADCAST, SLEEP
120 sec
5 sec

Housing:

Material:
Protection Class:
Mounting Instruction:

Q3062P
PA6
IP40
see application note

Energy Source:

Battery:
Lifetime:

Li primary coin cell, CR2032
replaceable
up to 2 seasons

Operation Devices:

Recommended Gateway:
Configuration Software:
Operating Software:

smart phone or BLE gateway with TELID®7 software
smart phone, iID® INDUSTRY 0906 BLE or iID®gateway Ezurio MG-100
TELID®7 configuration tool (Android)
TELID®7soft (Android)

Device Interface:

TELID®7 beacon protocol, driverless

¹) on request

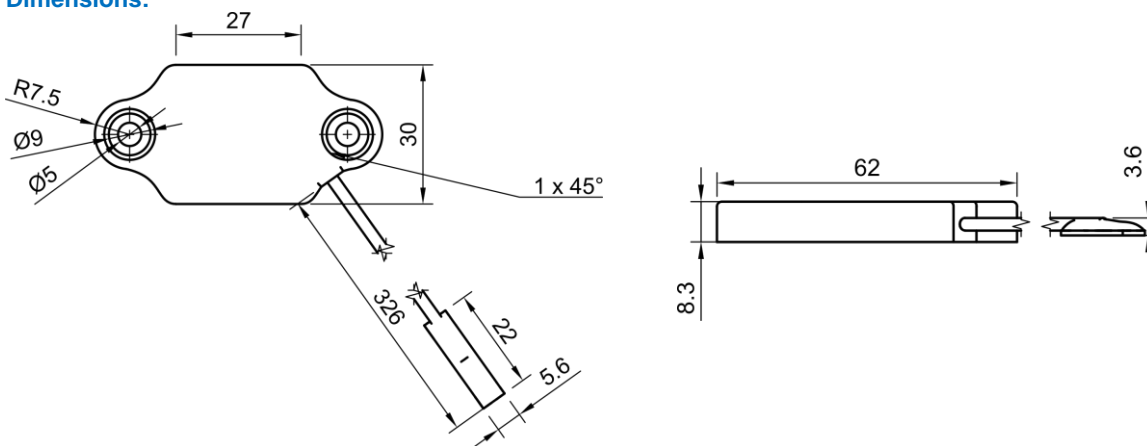
TELID® 710.honeycomb-Q3062P

TELID®710.honeycomb-Q3062P is a battery powered temperature sensor beacon for unique object identification and temperature measurement featuring a tiny external sensor and supporting operation with smartphones and other iID®contactless components such as BLE gateways. It is especially designed for use in beehives.



Device type	Temperature Sensor Beacon
Measurement Range	-25 ... 60 °C
Accuracy Temperature -20 ... 50 °C -25 ... 60 °C	typ. ± 0.05 °C, max. ± 0.1 °C typ. ± 0.05 °C, max. ± 0.15 °C
Resolution Temperature OSR = 4096	0.00780 °C
Battery	LiMnO ₂ primary cell (coin cell), CR2032
Product Code	14.714.961.50

Dimensions:



all dimensions in mm