



RFID Read/Write Device for mobile scan applications

iID[®] PENsolid is a mobile RFID device suitable as Bluetooth™ enabled RFID read/write unit for UHF (868MHz) as well as HF (13.56MHz) frequency applications.

Based on its PEN style form and the implemented touch tip it can be used as input device for tablets and smartphones with touch and capacitive screens. iID[®] PENsolid can be configured as Bluetooth™ HID device. In this operation mode it emulates a Bluetooth™ keyboard.

Depending on operation mode, iID[®] PENsolid works together with Windows, Android and iOS devices.

Product Short Description & available Versions:

iID PENsolid System: iID-4000 **Product Code: 43.72.850.00**
RFID Pen Style UHF Read/Write Unit v1.00 with RTC, MEM, BT, USB, Li accu
Display: LEDs for power, BT, status Buttons: SCAN, F1, F2
System: iID4000, ISO 15000-6, EPC G2, all customized
Antenna: P3U Operation Mode: DOC / SPC Bluetooth: SPP / HID
Case Format: 120x26x20 mm³, Li Ion Battery 450mAh

iID PENsolid System: iID-3000 **Product Code: 73.72.750.00**
RFID Pen Style Read/Write HF Unit v1.00 with RTC, MEM, BT, USB, Li accu
Display: LEDs for power, BT, status Buttons: SCAN, F1, F2
System: iID3000, ISO 15693, 14443, all customized
Antenna: K3 Operation Mode: DOC / SPC Bluetooth: SPP / HID
Case Format: 120x26x20 mm³, Li Ion Battery 450mAh

Performance description

iID[®] PENsolid is suitable for mobile data capture and wireless RFID read / write applications, which can be connected via its integrated Bluetooth[™]-Interface to a smart phone, tablet computer or PC in DOC mode.

Based on iID[®] SPC functionality, scripts can be used for definition of LED, buzzer and button support as well as communication functionalities as RF, USB and Bluetooth[™].

The device is available in several types supporting HF as well as UHF systems suitable for closed coupling communication with very small sized up to large RFID transponders. Additionally all devices support TELID[®] sensor transponder applications.

First commissioning



Before using your device the first time, please charge the internal rechargeable battery using included micro USB cable.

Manner of functioning

iID[®] PENsolid may be used as USB/Bluetooth[™] RFID read/write interface, or RFID scanner with emulated Bluetooth[™] keyboard. See following table for available configurations, for further information see iID[®] SPC/MPC related documents.

Functionality	Operation mode configuration	Bluetooth [™] configuration	Remark
Read/write interface	DOC	SPP	Bi-directional communication, based on iID [®] driver engine
Bluetooth [™] HID input device (keyboard)	SPC	HID	One-directional communication, script with output functionality on device

iID[®] PENsolid is delivered in DOC/SPP mode, please adjust operation mode using iID[®] interface configuration tool regarding your requirements before first usage. Microsensys provides sample scripts for device usage in SPC mode, which are available for download in iID[®] interface configuration tool.

iID[®] PENsolid buttons support following functionalities:

Button	Functionality
(1) ON/OFF	Power on device, power off device when pressed for 3 seconds
(2) SCAN button	Perform scan (while device in SPC mode)
(1) and (2)	Keep holding (1) and (2) while device is off until lights come up will switch on device and perform Bluetooth™ reset.

Software to be installed

Please download and install iID[®] software package including iID[®] DEMOsoft 2013, iID[®] interface config tool and iID[®] connection tool as well as iID[®] driver engine from:

<http://download.microsensys.de/CDContent/Install/Setup%20iID%c2%ae%20software%20package.exe>.

Device configuration is possible using iID[®] interface configuration tool running on Windows PC environment - via BT connection as well as USB interface. For using USB interface you may also need to install the USB driver, which is available at

<http://download.microsensys.de/CDContent/USBDriver/Microsensys%20USB%20devices%20driver%20CDM%20v2.10.00%20WHQL%20Certified.zip>


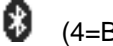
Depending on operation mode (see “manner of functioning”) and platform installation of further software may be required:

Operation mode	Platform	Software
DOC	Windows 32/64 (without RT)	iID [®] software package including iID [®] driver engine, optional iID [®] tray application (http://download.microsensys.de/CDContent/Install/iID%c2%ae%20tray%20application.zip)
	Windows Mobile, Windows embedded handheld	iID [®] driver engine, iID [®] DEMOsoft (http://download.microsensys.de/CDContent/Install/RFIDDriver/Windows/iID3000PRO/), http://download.microsensys.de/CDContent/Install/iID%c2%ae%20DEMOsoft/Windows/Mobile/RFID-Demo%20iID%20driver%20engine.CAB) , optional iID [®] trigger scan (http://download.microsensys.de/CDContent/Install/iID%c2%ae%20tray%20application/iID%c2%ae%20TriggerScan%20Mobile/iID%20TriggerScan.CAB)
	Android	iID [®] Android DEMOsoft (http://download.microsensys.de/CDContent/Install/iID%c2%ae%20DEMOsoft/Android/)
SPC (Bluetooth™ HID)	All platforms (Windows, Android, iOS)	No further software required

Further microsensys product related software is located here: <http://download.microsensys.de/CDContent/>.

Signs & their meaning

iID[®] PENsolid LEDs are used to show operation state. Additionally there are device states shown as described below.

Symbol	Description
 (3=ORANGE)	OFF = battery good, BLINK = low charge, ON = USB charging
 (4=BLUE)	BLINK = Bluetooth™ connection not established, ON = Bluetooth™ connection established
(5) operation state LED (GREEN)	In DOC mode automatic RF state visualization, in SPC mode free programmable
(6) operation state LED (RED)	In DOC mode automatic RF state visualization, in SPC mode free programmable
(5) & (6)	Blinking while POWER_ON or POWER_OFF

Equipment delivered:

1 x iID@PENsolid

Standard accessories:

USB cable

Hand strap

Including following Accessories:

1 x Hand strap

1 x USB cable

1 x CD-ROM (Software & Documents)

Complementary microsensys Documents

Technical Datasheets: PENsolid-HF xxx.pdf, PENsolid-UHF xxx.pdf

Product Guide RFID Reader: (coming soon)

Product or System Documentation: DOC-iID SPC 01D.pdf, Quick-iID MPC 01D.pdf

Contact/Copyright

Micro-Sensys GmbH • In der Hochstedter Ecke 2 • 99098 Erfurt • Germany

phone: +49 (0) 3 61 5 98 74-0 fax: +49 (0) 3 61 5 98 74-17

e-mail: info@microsensys.de web: www.microsensys.de

Any reproduction of this short manual in whole or in part, the storage in electronic media and the translation into foreign languages without the written permission of microsensys GmbH is forbidden.

© 2015 microsensys • all rights reserved